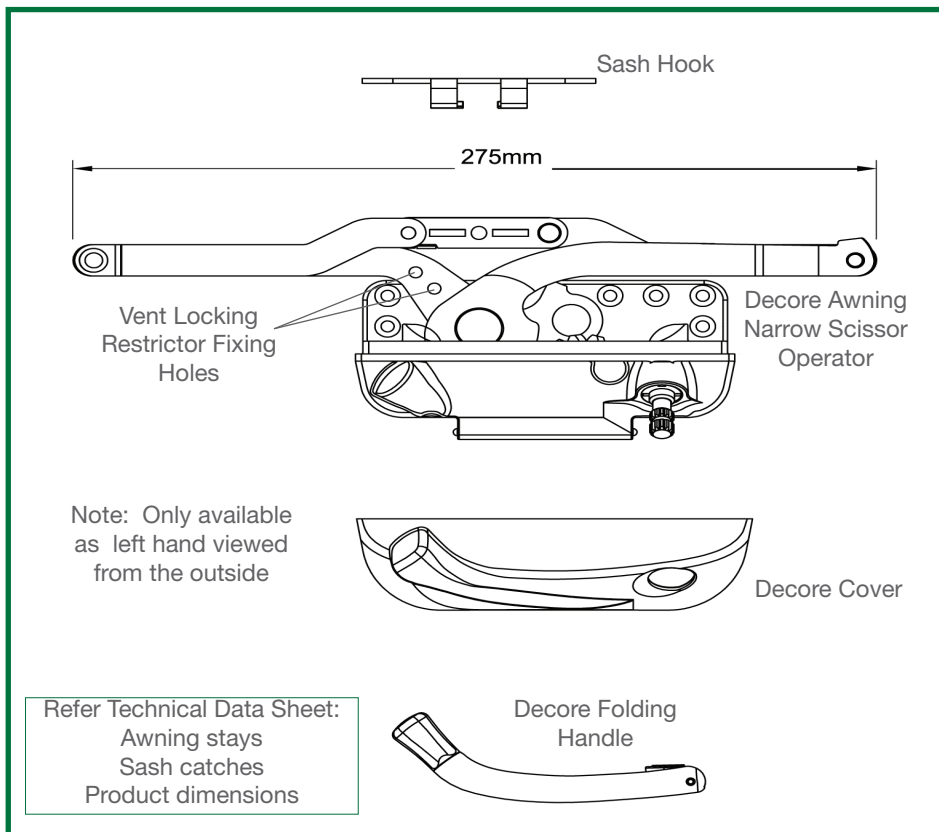


decore  
awning narrow scissor operator



**fhs** <sup>TM</sup>  
fenestra hardware specialists

# Decore Awning Narrow Scissor Operator Product Ordering Specification



## features

- The stylish handle folds into the cover to give the same appearance for both casement and awning operators when use together
- Designed for sash widths from 375mm to 1140mm. (Sash keepers may be required on 1000Pa and above)
- Operates sash weights upto 45kgs
- All Operators come with sash restrictors as standard
- Fully operable without removing insect screens
- Standard powdercoated finish
- Optional Stainless steel also available
- Sealing gasket is supplied as standard
- Colour range
  - white
  - black
  - stone beige
  - anodic natural matt
  - bronze
  - mahogany
  - aluminium
  - beige
- Suitable for use on
  - timber
  - aluminium
  - uPVC

Product Name	Part Number
Decore Awning Narrow Scissor Operator	132635-XC12-R1
Sash Hook	19081
Decore Cover & Handle L/H (green dot):	
White	132066 - 9373
Black	132066 - 15212
Stone Beige	132066 - 1275
Anodic Natural Matt	132066 - RY196
Bronze	132066 - 8183
Mahogany	132066 - RY166
Aluminium	132066 - 0117
Beige	132066 - 1275