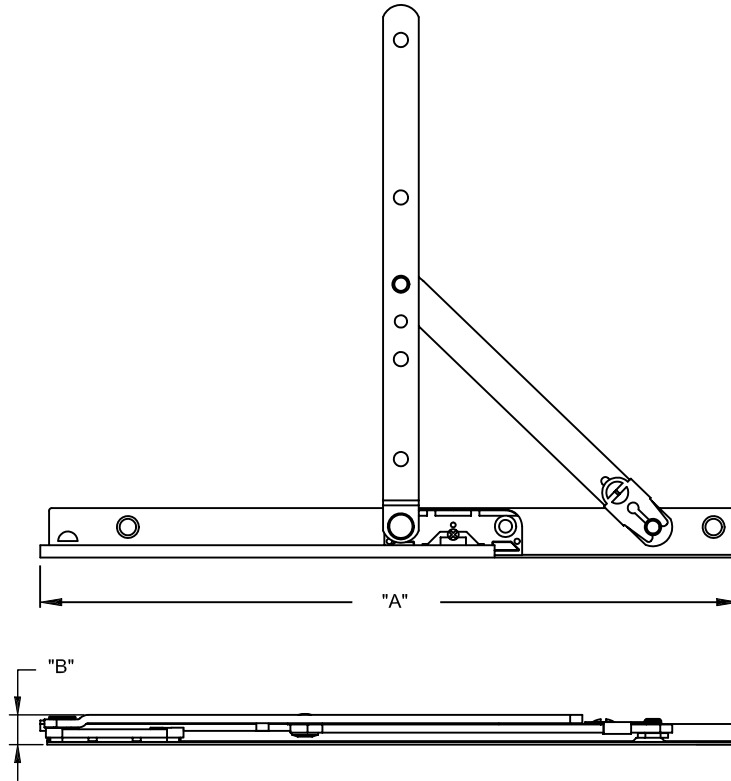


Awning Stay Size and Weight Range Chart

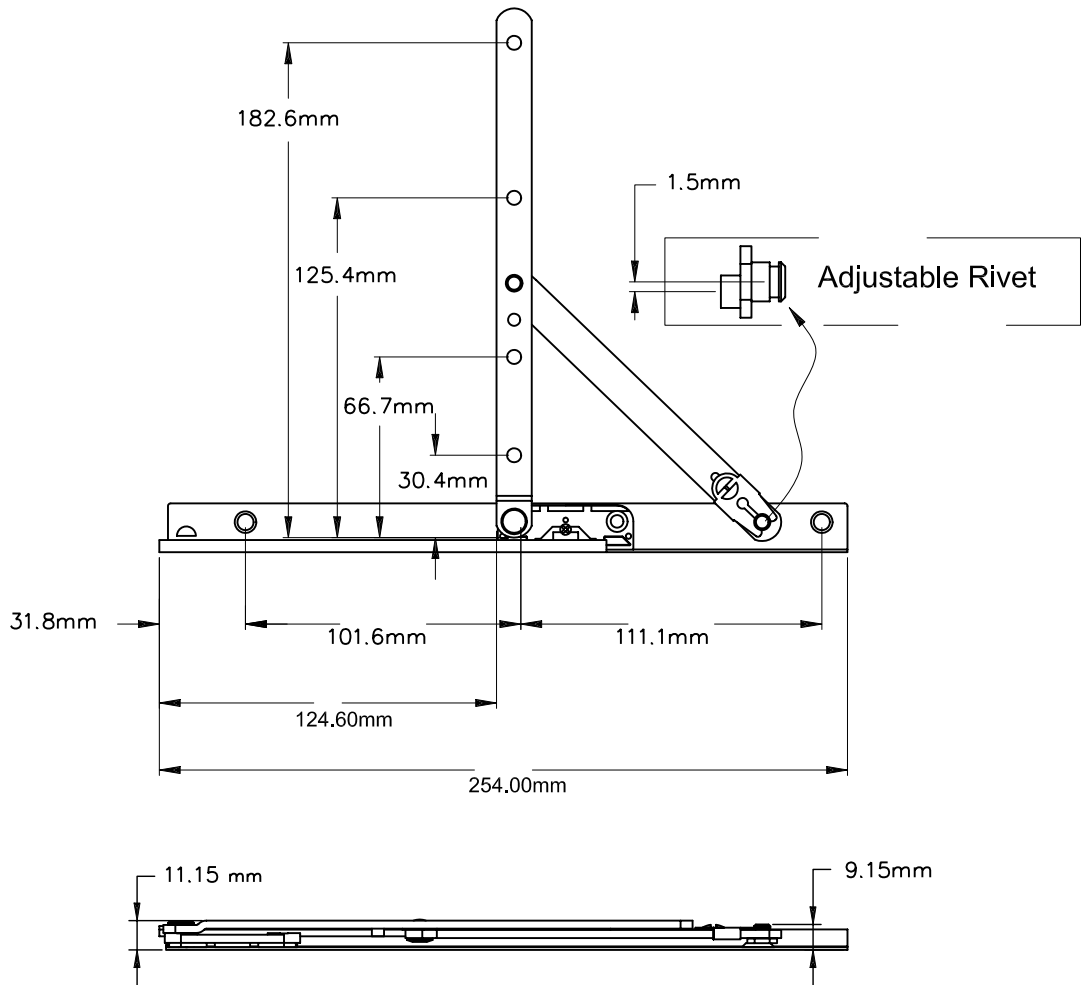


Right Hand Drawn

Part Number	Sash Width Range	Sash Height Range	Weight Maximum	Hinge Length "A"	Hinge Height "B"	Frame Side Lock Catches
19010 series 7010 series	250mm - 356mm	2100mm	3.20 kg.	254mm	11mm	Refer to Section 4 in Technical Manual
19014 series 7014 series	357mm - 483mm	2100mm	9.00 kg.	356mm	11mm	
19018 series 7018 series	484mm - 660mm	2100mm	17.50 kg.	457mm	11mm	
19022 series 7022 series	661mm - 864mm	2100mm	22.50 kg	559mm	11mm	
19026 series 7022 series	865mm - 1070mm	2100mm	27.50 kg.	660mm	11mm	

Awning Two Bar Stays. Non Friction

"10" - 254mm

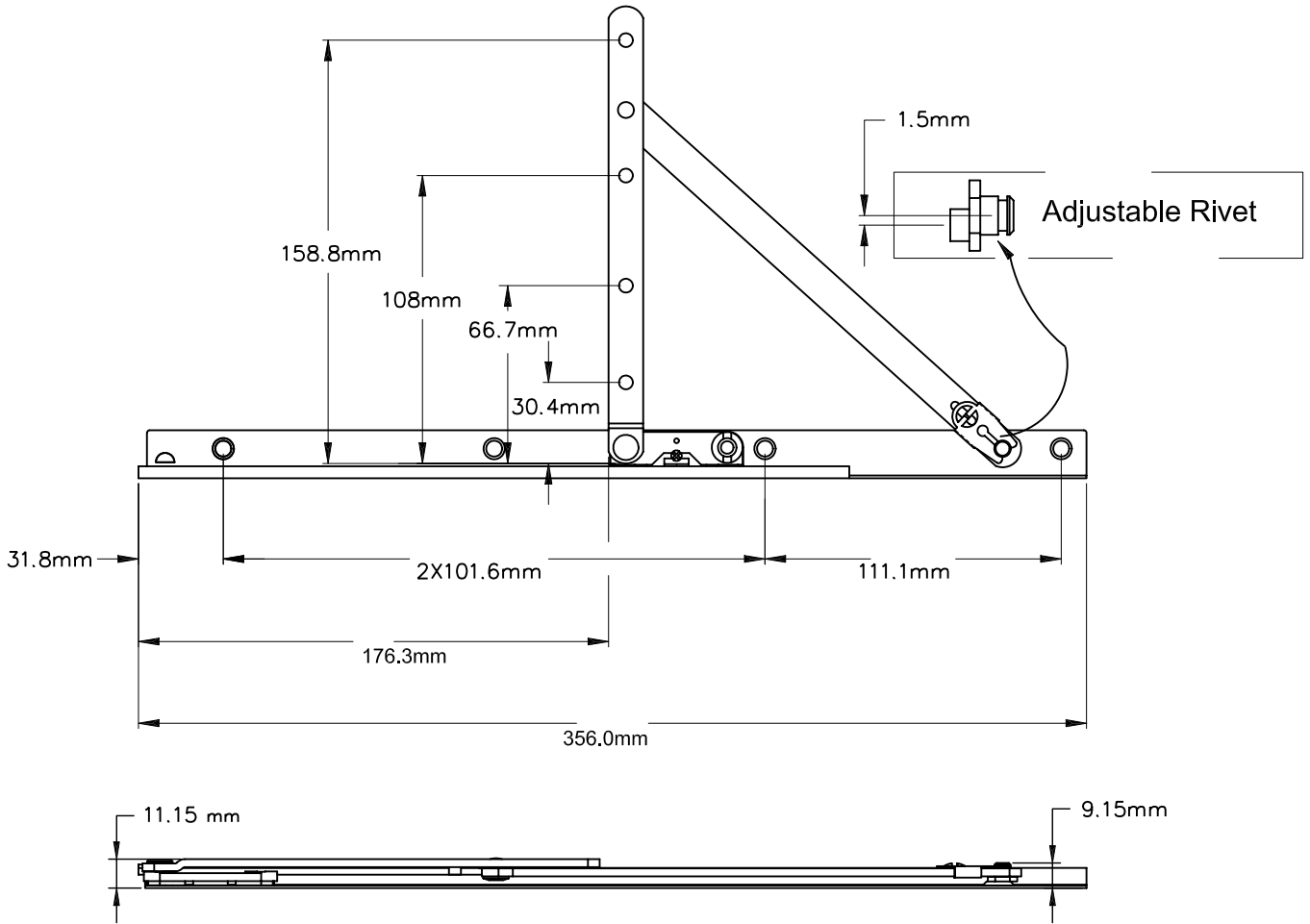


Right Hand Drawn

Part Number	Product Name	Material	Hand
19010-SNC-00	Two Bar Stay, "10", Adjustable, Clip-on, R/H	Steel	R/H
19010-SNC-01	Two Bar Stay, "10", Adjustable, Clip-on, L/H	Steel	L/H
7010-SNC-00	Two Bar Stay, "10", Adjustable, Clip-on, S/Steel, R/H	Stainless Steel	R/H
7010-SNC-01	Two Bar Stay, "10", Adjustable, Clip-on, S/Steel, L/H	Stainless Steel	L/H

Awning Two Bar Stays. Non Friction

"14" - 356mm

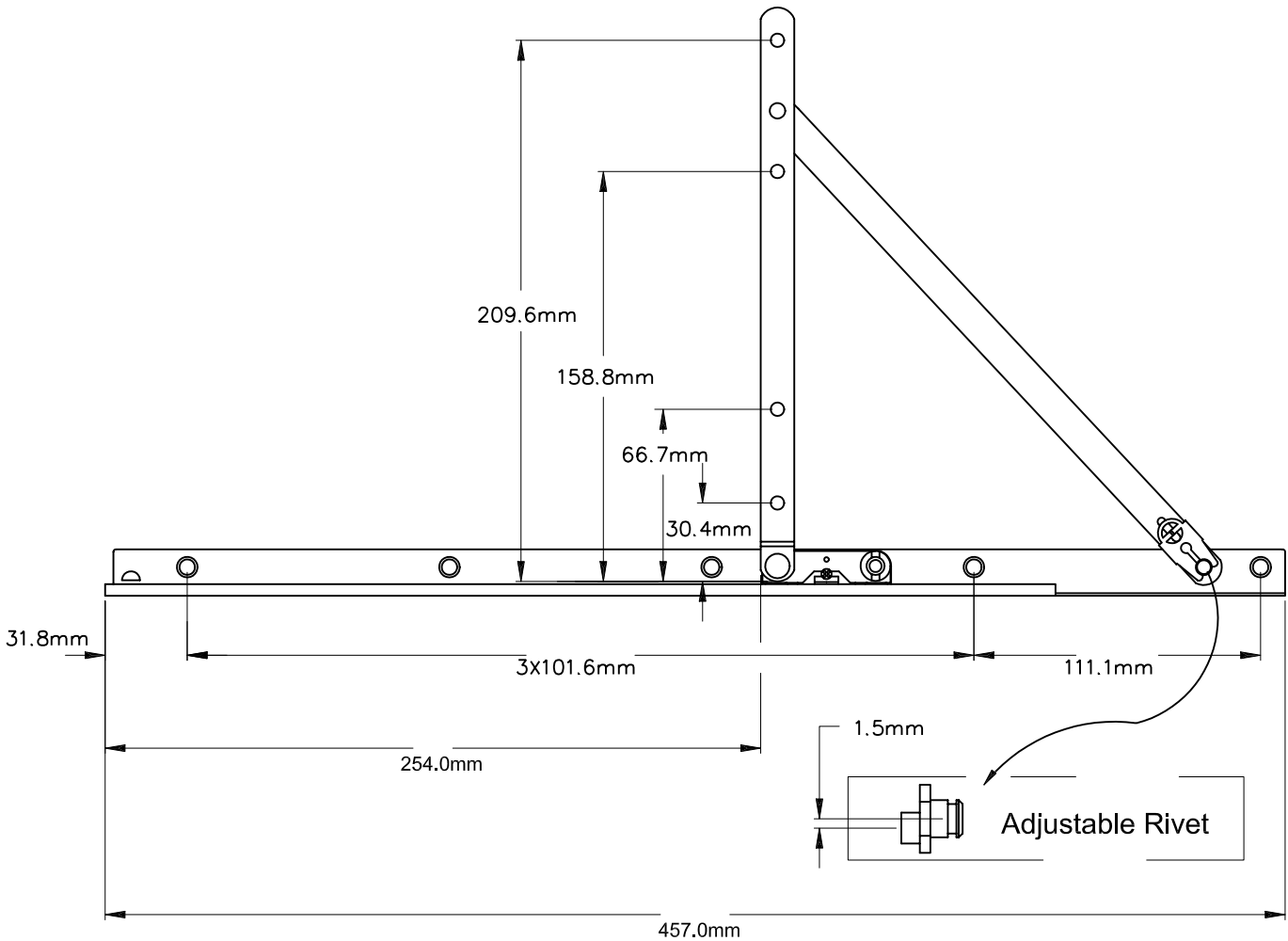


Right Hand Drawn

Part Number	Product Name	Material	Hand
19014-SNC-00	Two Bar Stay, "14", Adjustable, Clip-on, R/H	Steel	R/H
19014-SNC-01	Two Bar Stay, "14", Adjustable, Clip-on, L/H	Steel	L/H
7014-SNC-00	Two Bar Stay, "14", Adjustable, Clip-on, S/Steel, R/H	Stainless Steel	R/H
7014-SNC-01	Two Bar Stay, "14", Adjustable, Clip-on, S/Steel, L/H	Stainless Steel	L/H

Awning Two Bar Stays. Non Friction

"18" - 457mm

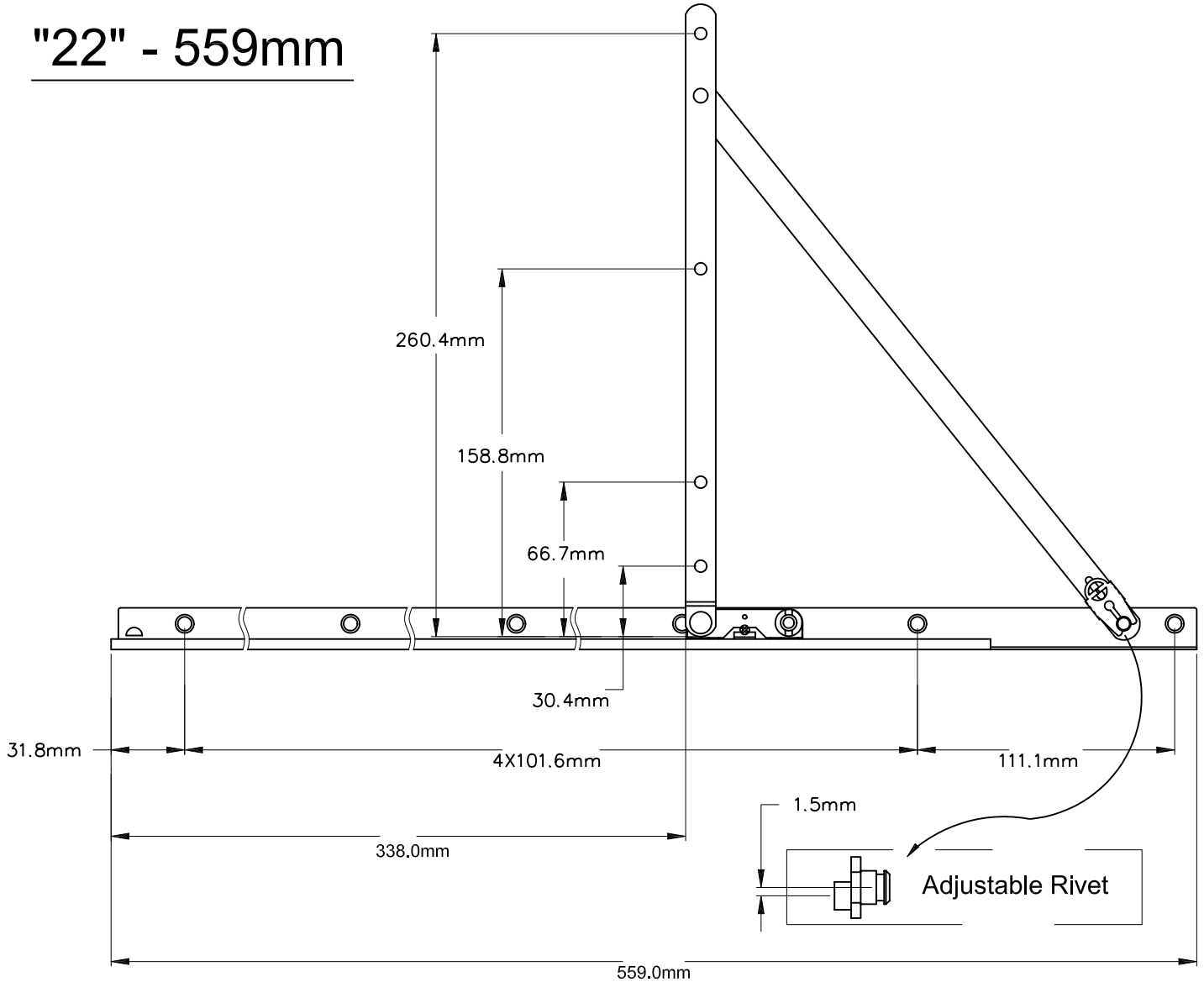


Right Hand Drawn

Part Number	Product Name	Material	Hand
19018-SNC-00	Two Bar Stay, "18", Adjustable, Clip-on, R/H	Steel	R/H
19018-SNC-01	Two Bar Stay, "18", Adjustable, Clip-on, L/H	Steel	L/H
7018-SNC-00	Two Bar Stay, "18", Adjustable, Clip-on, S/Steel, R/H	Stainless Steel	R/H
7018-SNC-01	Two Bar Stay, "18", Adjustable, Clip-on, S/Steel, L/H	Stainless Steel	L/H

Awning Two Bar Stays. Non Friction

"22" - 559mm

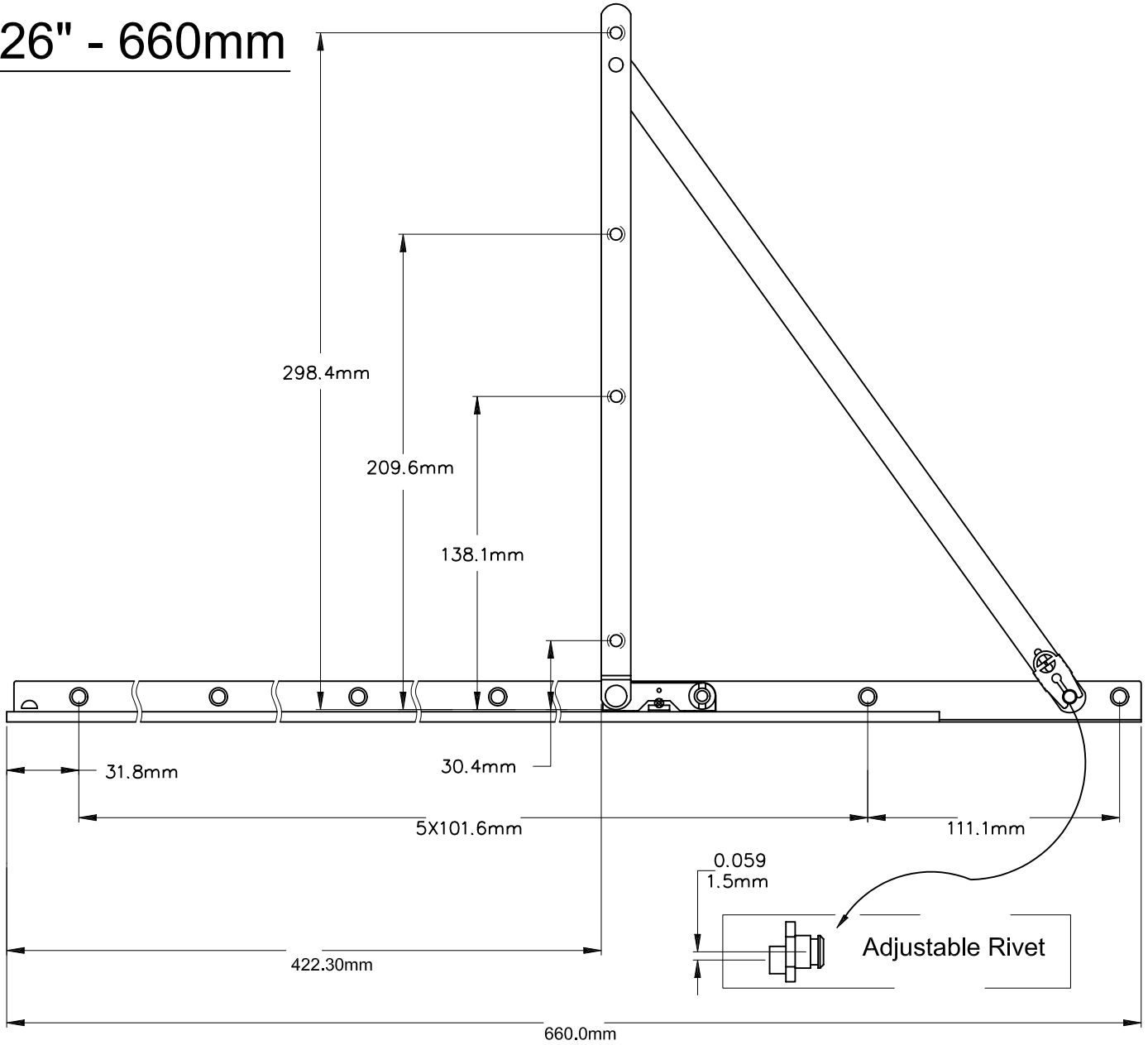


Right Hand Drawn

Part Number	Product Name	Material	Hand
19022-SNC-00	Two Bar Stay, "22", Adjustable, Clip-on, R/H	Steel	R/H
19022-SNC-01	Two Bar Stay, "22", Adjustable, Clip-on, L/H	Steel	L/H
7022-SNC-00	Two Bar Stay, "22", Adjustable, Clip-on, S/Steel, R/H	Stainless Steel	R/H
7022-SNC-01	Two Bar Stay, "22", Adjustable, Clip-on, S/Steel, L/H	Stainless Steel	L/H

Awning Two Bar Stays. Non Friction

"26" - 660mm



Right Hand Drawn

Part Number	Product Name	Material	Hand
19026-SNC-00	Two Bar Stay, "26", Adjustable, Clip-on, R/H	Steel	R/H
19026-SNC-01	Two Bar Stay, "26", Adjustable, Clip-on, L/H	Steel	L/H
7026-SNC-00	Two Bar Stay, "26", Adjustable, Clip-on, S/Steel, R/H	Stainless Steel	R/H
7026-SNC-01	Two Bar Stay, "26", Adjustable, Clip-on, S/Steel, L/H	Stainless Steel	L/H