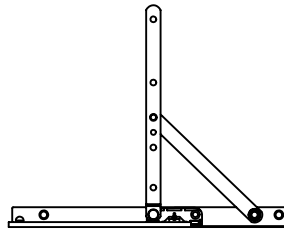
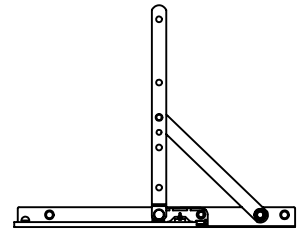


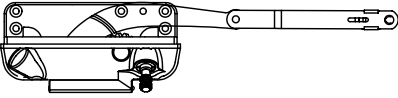
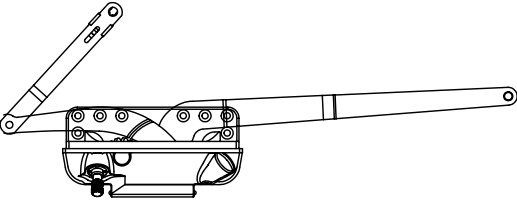
# Casement Stays and Operator Weight Chart



254mm Stay

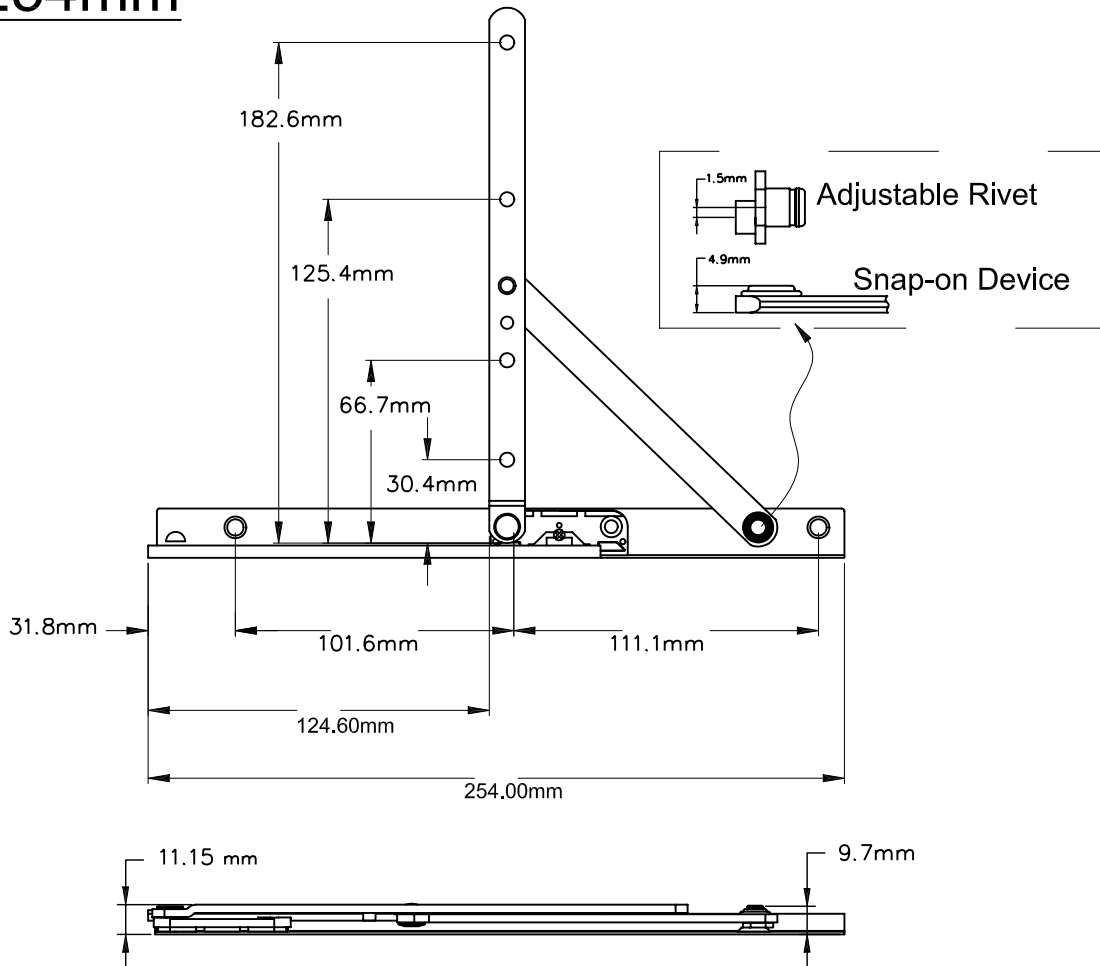


330mm Stay

	254mm Stay			330mm Stay		
	Height Range	Width Range	Weight Maximum	Height Range	Width Range	Weight Maximum
 Casement Dyad Operator	540mm to 1630mm	360mm to 610mm	21 Kg.	540mm to 1830mm	305mm to 510mm	25 Kg.
 Casement Dual Arm Operator	760mm to 2130mm	510mm to 815mm	39 Kg.	760mm to 2130mm	510mm to 1015mm	44 Kg.

# Casement Two Bar Stays.

## "10" - 254mm

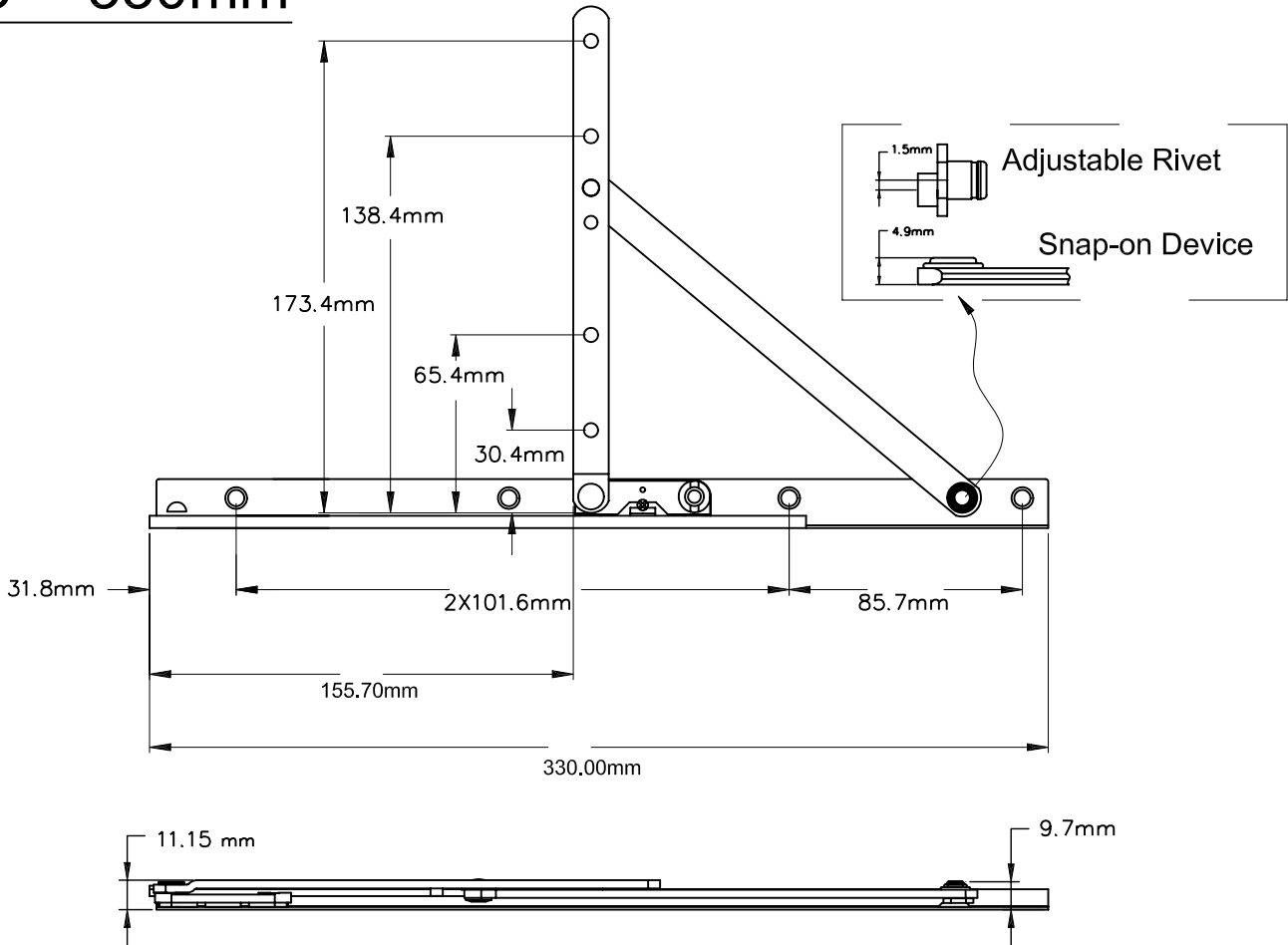


Right Hand Drawn

Part Number	Product Name	Material	Hand
19010-SASR1-00	Two bar Stay, "10", Adjustable, Snap on, R/H	Steel	R/H
19010-SASR1-01	Two bar Stay, "10", Adjustable, Snap on, L/H	Steel	L/H
7010-SASR1-00	Two bar Stay, "10", Adjustable, Snap on, S/Steel, R/H	Stainless Steel	R/H
7010-SASR1-01	Two bar Stay, "10", Adjustable, Snap on, S/Steel, L/H	Stainless Steel	L/H

# Casement Two Bar Stays.

## "13" - 330mm



Right Hand Drawn

Part Number	Product Name	Material	Hand
19013-SASR1-00	Two Bar Stay, "13", Adjustable, Snap on, R/H	Steel	R/H
19013-SASR1-01	Two Bar Stay, "13", Adjustable, Snap on, L/H	Steel	L/H
7013-SASR1-00	Two Bar Stay, "13", Adjustable, Snap on, S/Steel, R/H	Stainless Steel	R/H
7013-SASR1-01	Two Bar Stay, "13", Adjustable, Snap on, S/Steel, L/H	Stainless Steel	L/H