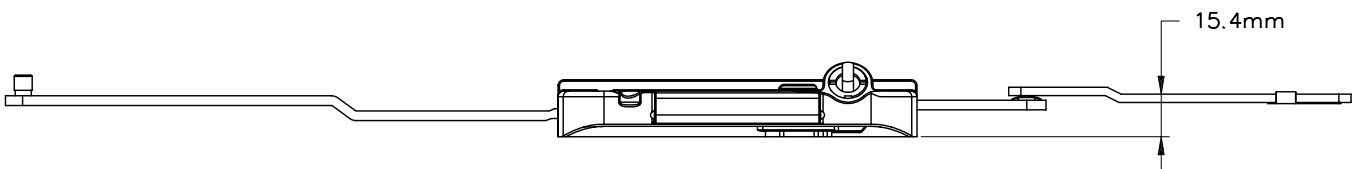
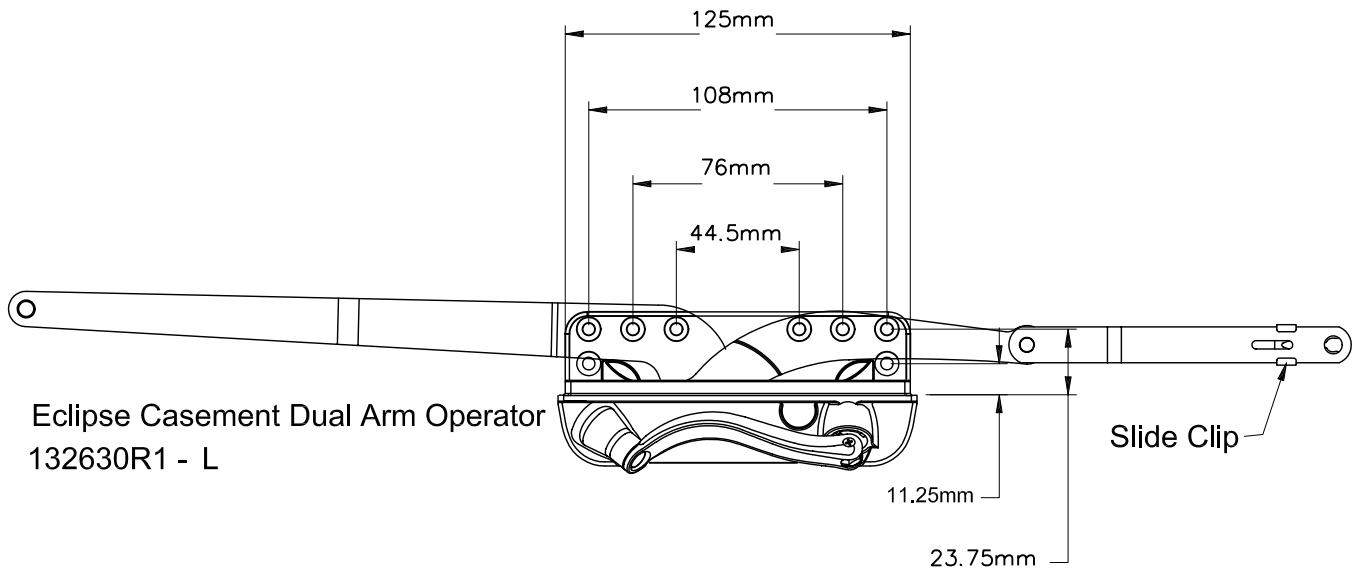
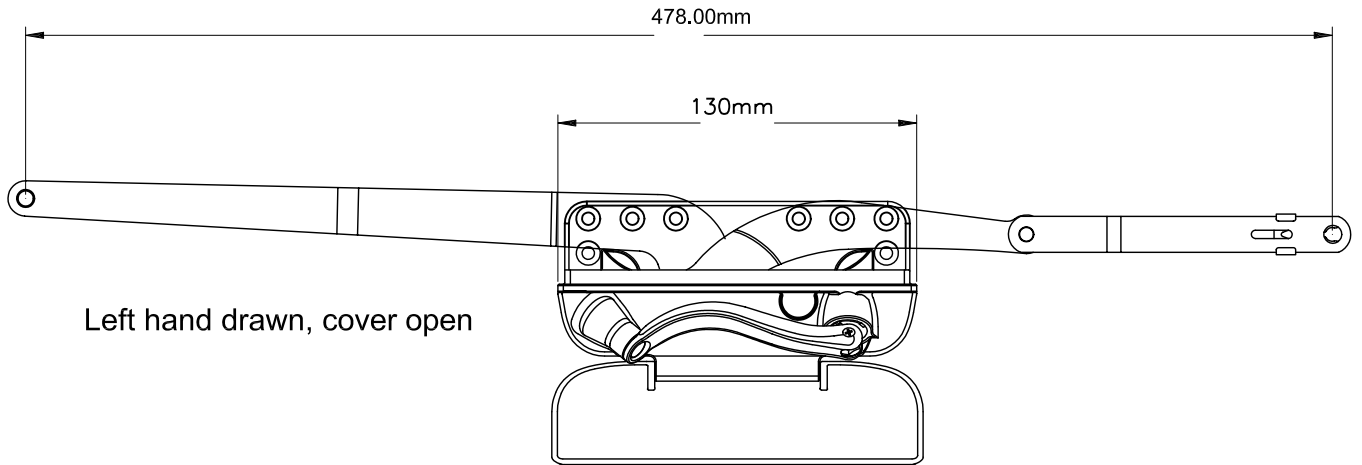
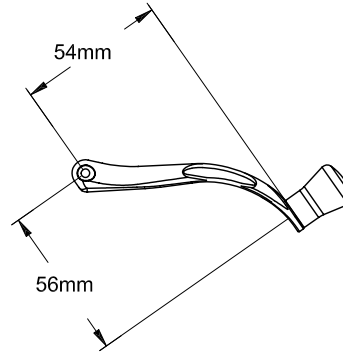
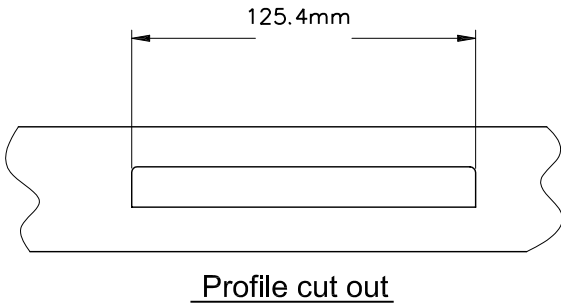
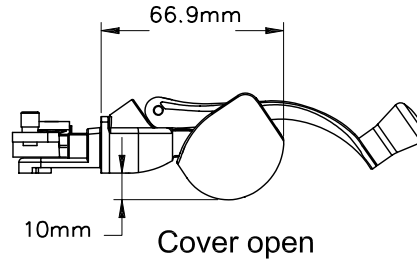
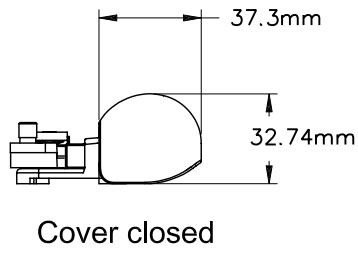


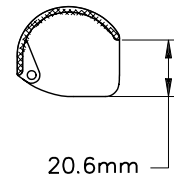
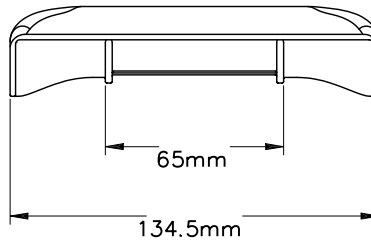
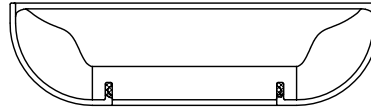
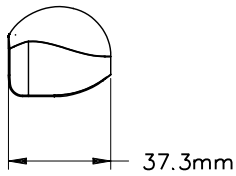
Eclipse Casement Dual Arm Operator



Product Name	Part Number
Eclipse Casement Dual Arm Operator, L/H	132630R1 - L
Eclipse Casement Dual Arm Operator, R/H	132630R1 - R
Eclipse Casement Dual Arm Operator, S/Steel. L/H	132630R1 - L - SS
Eclipse Casement Dual Arm Operator, S/Steel. R/H	132630R1 - R - SS



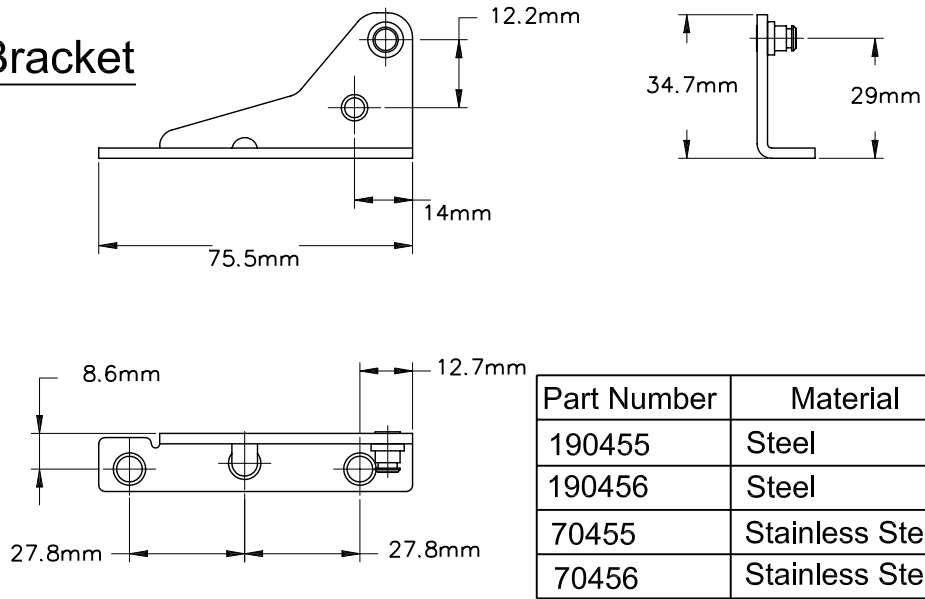
Eclipse Handle / Cover



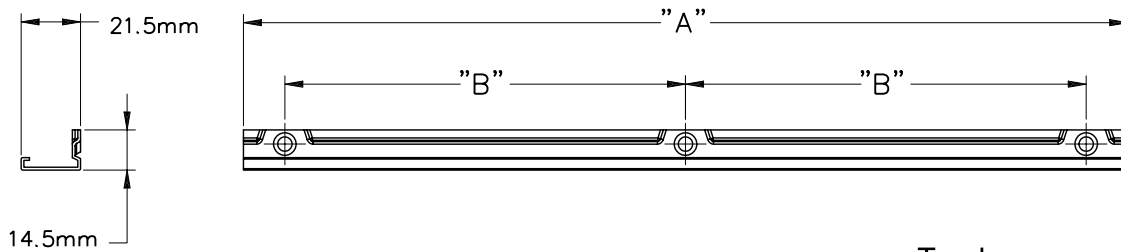
Product Name	Part Number
Eclipse Handle Cover - White	26080
Black	26082
Stone Beige	26095
Anodic Natural Matt	26096
Bronze	26093
Mahogany	26094
Aluminium	26092
Beige	26083

Eclipse Stud Bracket

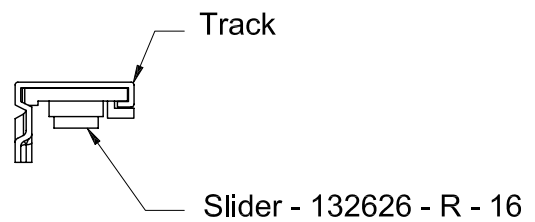
(Left hand drawn)



Eclipse Operator Track



Part Number	Material
190051	Steel
70051	Stainless Steel



Accessories refer -

- Section 4 – Casement stays
- Aluminium / PVC sash catch
 - Timber sash catch