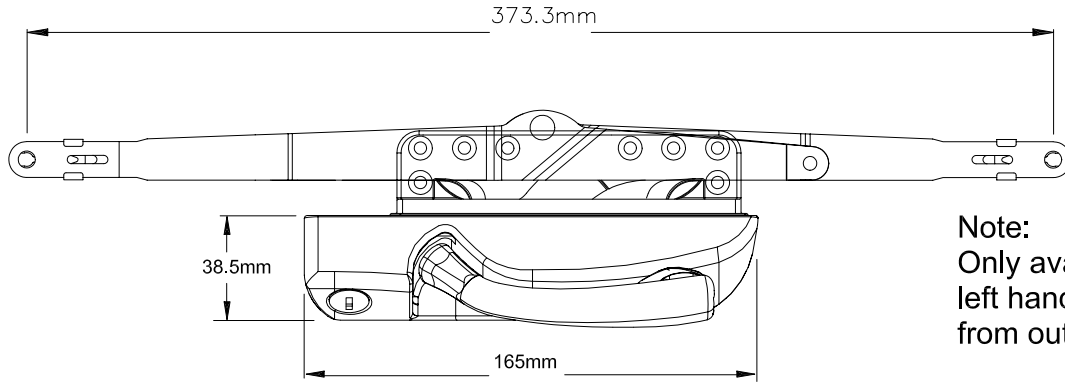
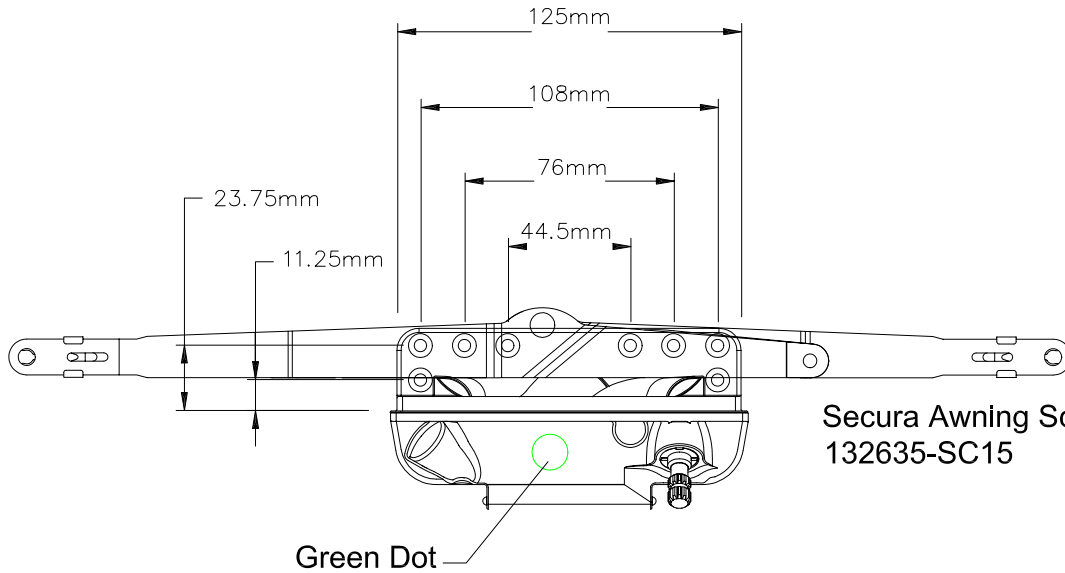


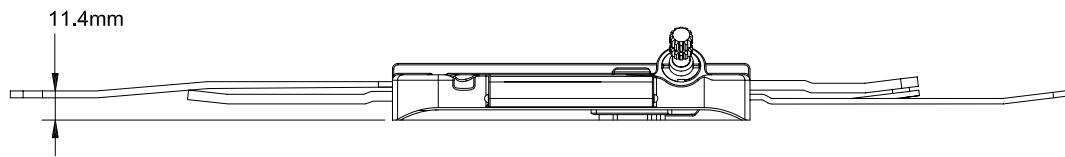
# Secura Awning Scissor Operator



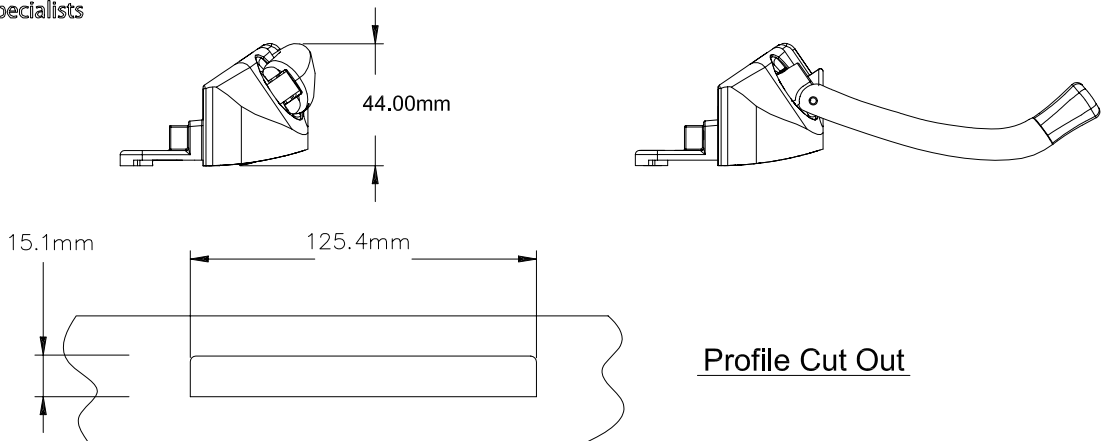
**Note:**  
Only available as  
left hand viewed  
from outside.



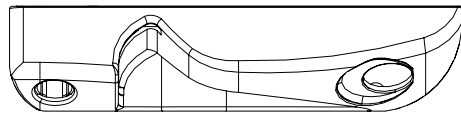
Secura Awning Scissor Operator  
132635-SC15



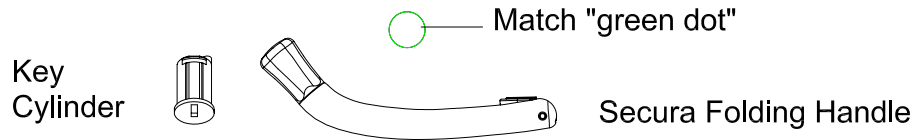
Product Name	Part Number
Secura Awning Scissor Operator	132635 - SC15
Secura Awning Scissor Operator , S/Steel Arms	132635 - SC15 - SS



## Secura Cover and Folding Handle



Secura Cover



Part Number	Colour
132166 - 9373	White
132166 - 15212	Black
132166 - RY195	Stone Beige
132166 - RY196	Anodic Natural Matt
132166 - 8183	Bronze
132166 - RY166	Mahogany
132166 - 0117	Aluminium
132166 - 1275	Beige
132166 - D03	Gold

## Bottom Infill Cover



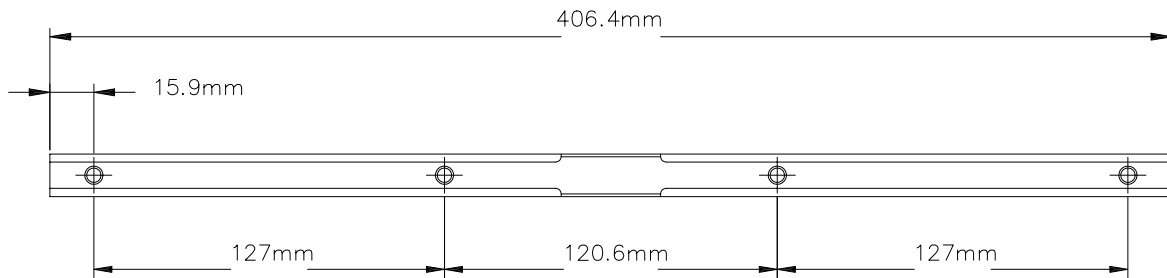
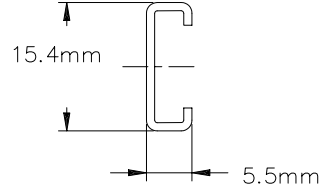
Part Number	Colour
20072	Black

## Fixing Screws

Part Number - SC 0044

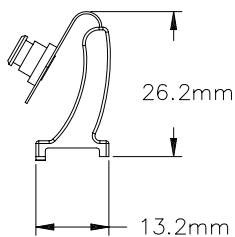
## Operator Track

Track 190030 / 70030

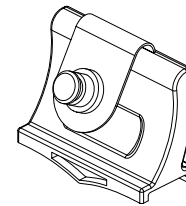
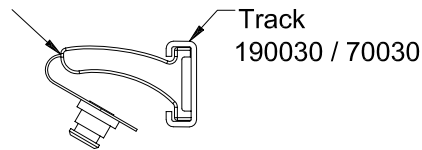


Product Name	Part Number
Secura Awning Operator Track	190030
Secura Awning Operator Track , Stainless Steel	70030

## Slide Bracket



Slide Bracket  
20070 (2 off per operator)



Assembled into track 190030 or 70030

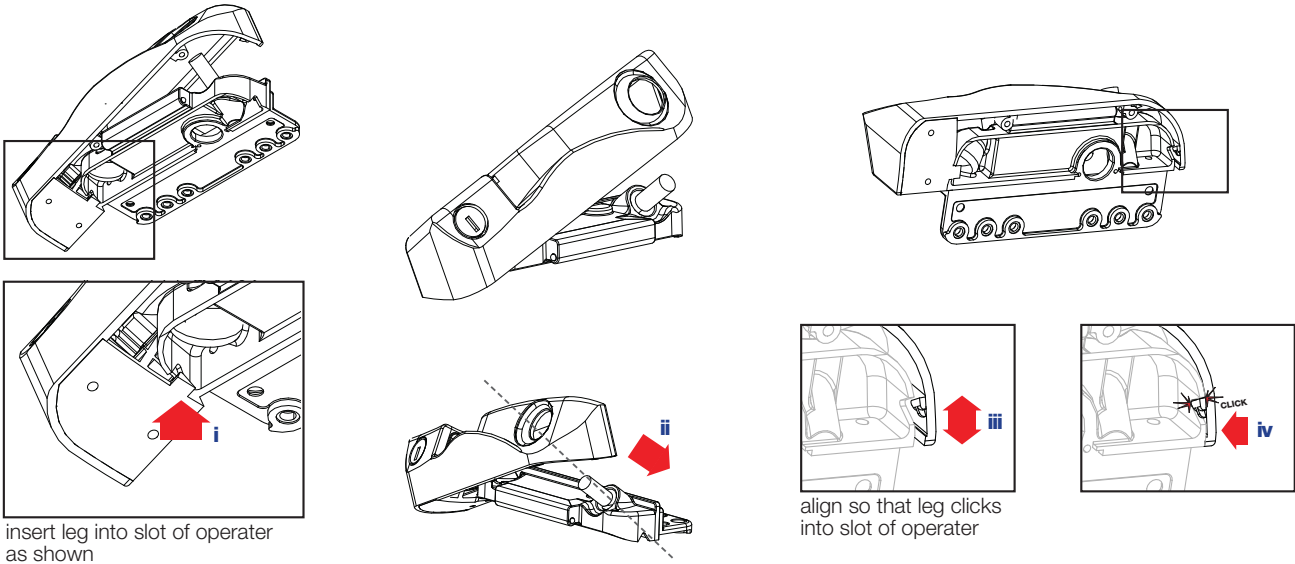
## Accessories refer -

- Section 4 – Awning stays
- Aluminium / PVC sash catch
- Timber sash catch

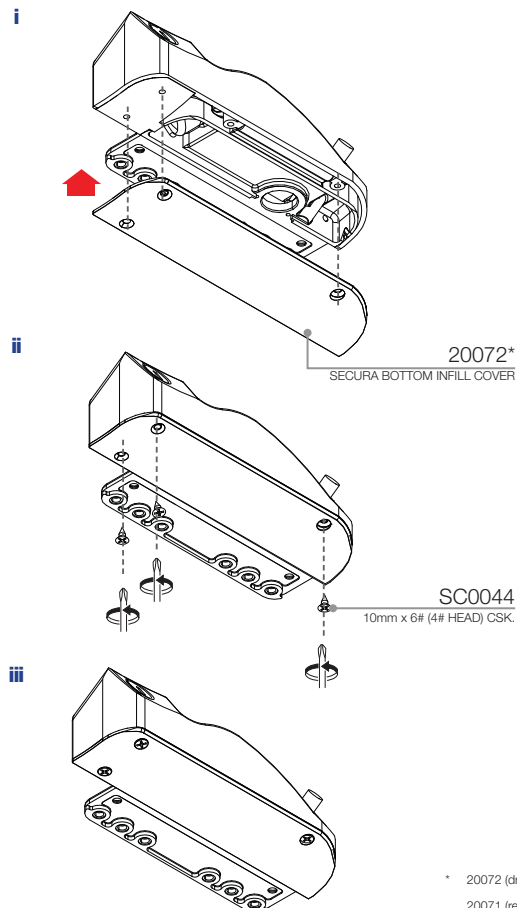
# ASSEMBLY

## SECURA LOCK COVER TO OPERATOR

### 1 CLIP SECURA LOCK COVER ON OPERATOR



### 2 SCREW SECURA BOTTOM INFILL COVER



### 3 SCREW HANDLE

