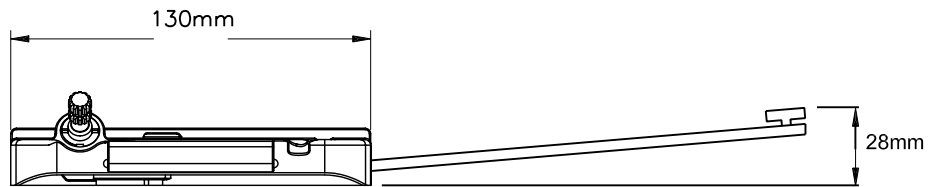
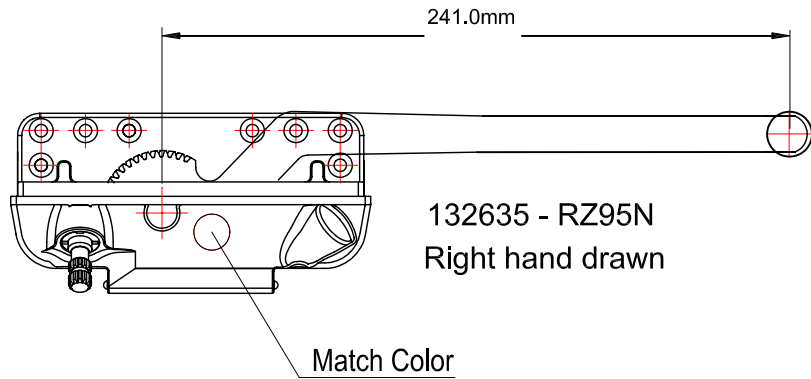
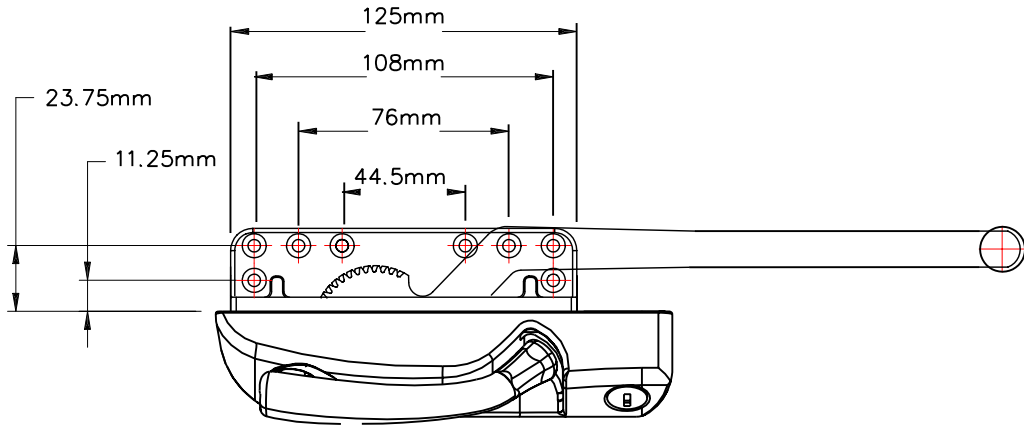
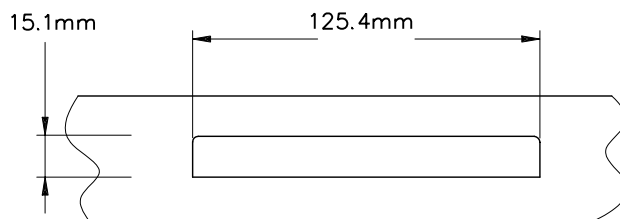
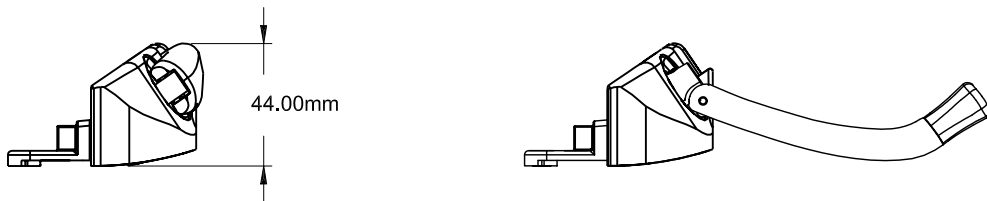


Secura Casement Single Arm Operator



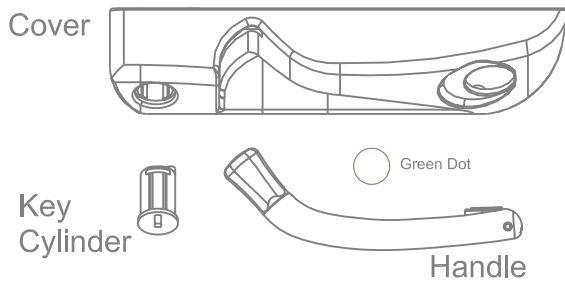
Product Name	Part Number	Match Colour
Secura Casement Single Arm Operator, L/H	132635 - LZ95N	Green
Secura Casement Single Arm Operator, R/H	132635 - RZ95N	Red



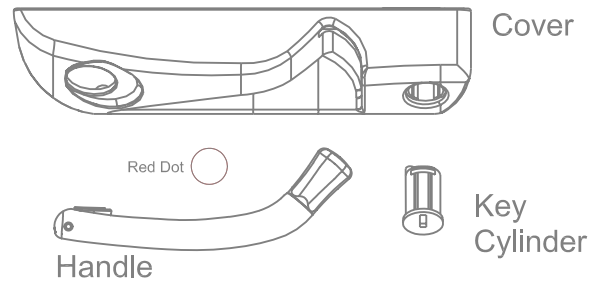
Profile Cut Out

Cover and Folding Handle

132166 Shown
Left Hand "Green Dot"



132167 Shown
Right Hand "Red Dot"



Part Number	Colour
132166 - 9373	White
132166 - 15212	Black
132166 - RY195	Stone Beige
132166 - RY196	Anodic Natural Matt
132166 - 8183	Bronze
132166 - RY166	Mahogany
132166 - 1275	Beige
132166 - 0117	Aluminium
132166 - D03	Gold

Part Number	Colour
132167 - 9373	White
132167 - 15212	Black
132167 - RY195	Stone Beige
132167 - RY196	Anodic Natural Matt
132167 - 8183	Bronze
132167 - RY166	Mahogany
132167 - 1275	Beige
132167 - 0117	Aluminium
132167 - D03	Gold

Bottom Infill Cover



Part Number	Colour
20072	Black

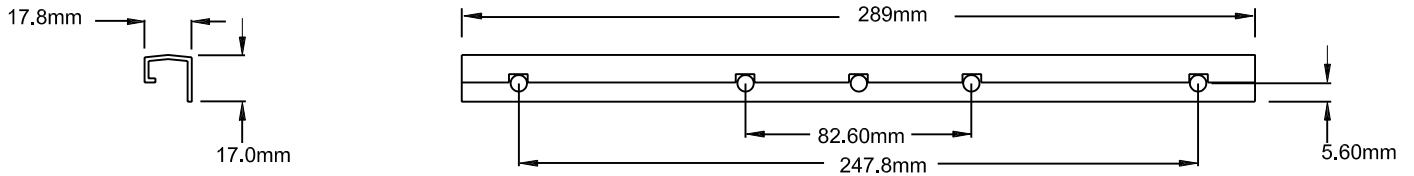


Part Number	Colour
20071	Black

Fixing Screws

Part Number - SC 0044

Single Arm Operator Track



Part Number - 190040

Accessories refer -

- Section 4 – Casement stays
- Aluminium / PVC sash catch
- Timber sash catch